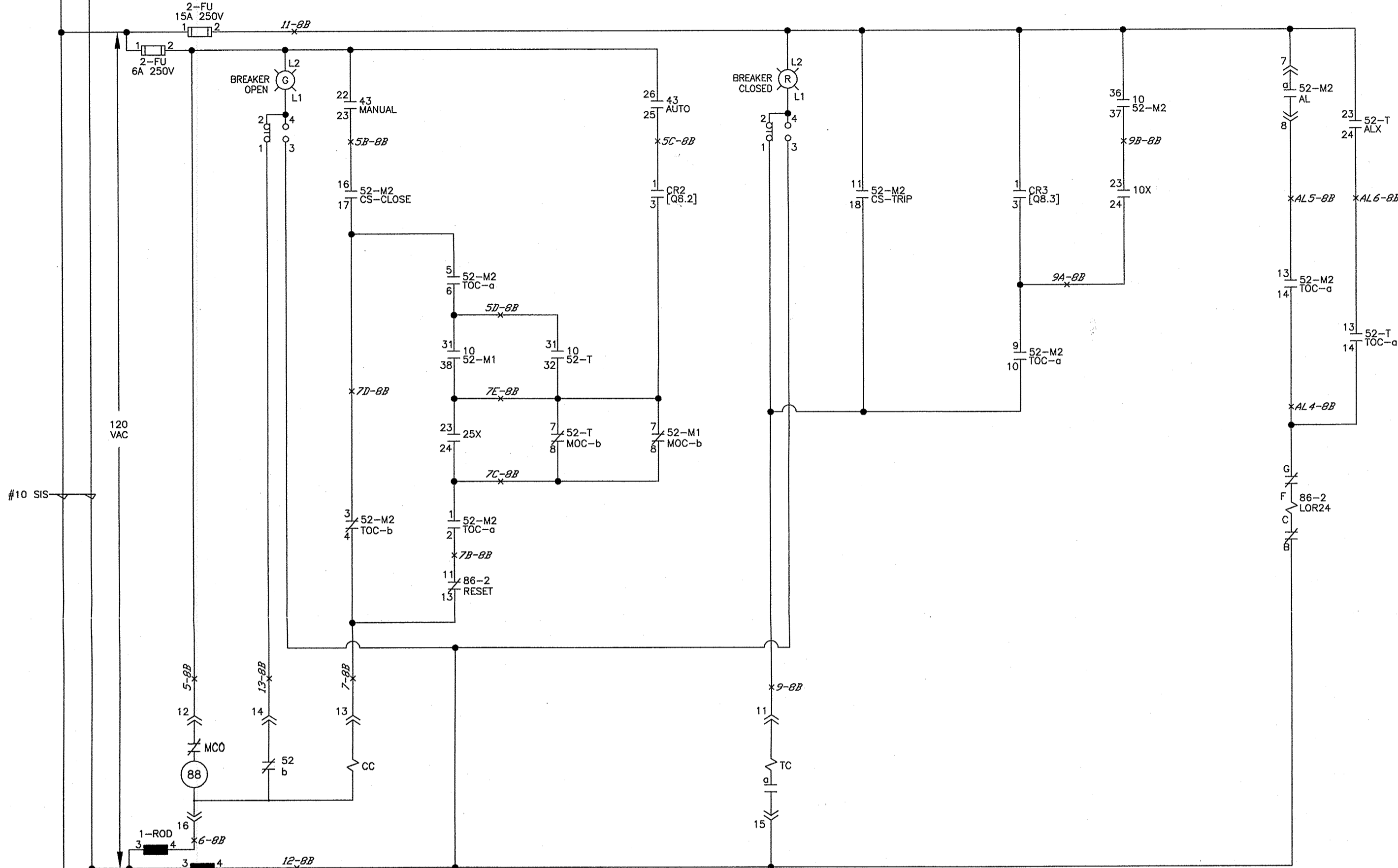
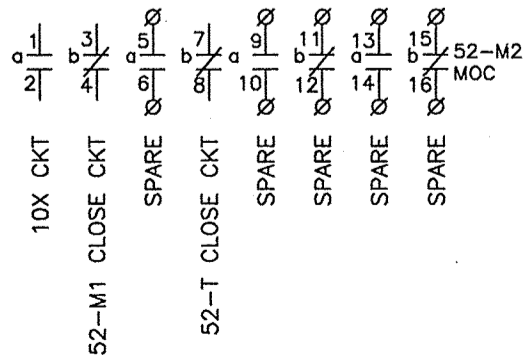
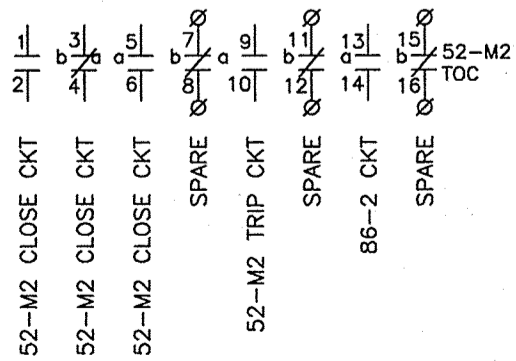


CONTINUED FROM  
18840822423



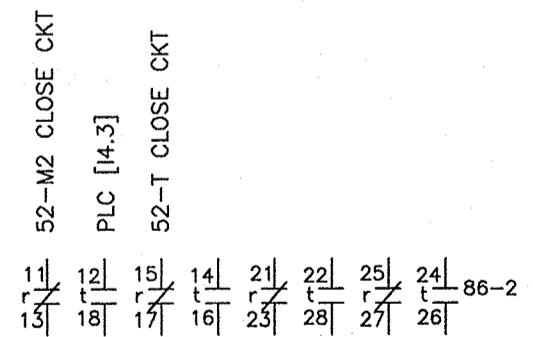
ELECTRICALLY-OPERATED MAIN BREAKER 52-M2 CONTROL CIRCUIT COMPT 8B

CONTINUED TO  
18840822425



PLC [10.6]

5 1/2 52-M2 AL  
 7 1/4 52-M2 AL  
 8 1/6 86-2 CKT



USE NON-PVC TUBE-TYPE LABELS AS WIRE MARKERS ON BOTH ENDS OF ALL WIRES.  
 BREAKERS, RELAYS AND AUXILIARY SWITCHES ARE SHOWN IN DE-ENERGIZED POSITION.  
 CUSTOMER'S CONNECTIONS ARE SHOWN DASHED.  
 THE STANDARD SECONDARY WIRE IS #14 SIS UNLESS OTHERWISE STATED.

DECK	CONTACTS HANDLE END	POSITIONS		
		1	2	3
1	11 0-1-1-0 18	X		
	16 0-1-1-0 17		X	

CONTROL SWITCH  
 SPRING RETURN TO NORMAL  
 ELECTRO SWITCH CAT. NO. 2438D

DECK	CONTACTS HANDLE END	POSITIONS		
		1	2	3
B	0-1-1-0 C	X		
F	0-1-1-0 G	X		
1	11 0-1-1-0 13	X		
	12 0-1-1-0 18	X		
	15 0-1-1-0 17	X		
	14 0-1-1-0 16	X		
2	21 0-1-1-0 23	X		
	22 0-1-1-0 28	X		
	25 0-1-1-0 27	X		
	24 0-1-1-0 26	X		

LOCKOUT RELAY (86)  
 MANUAL RESET  
 ELECTRO SWITCH CAT. NO. 7802E

WARNING: TO ENSURE AGAINST ELECTRIC SHOCK OR ACCIDENT DANGER, DISCONNECT ALL SOURCES OF SUPPLY BEFORE SERVICING.\*  
 PROD. TYPE R  
 SCALE NTS  
 DR: CHM  
 AP:  
 DOC. NO. 18840822424  
 PAGE: 1  
 NEXT: F

Siemens Energy & Automation, Inc.  
 Raleigh, NC

SCHEMATIC DIAGRAM  
 BREAKER 52-M2 CONTROL CIRCUITS

SALES ORDER: 3000677600  
 MFG. PROJECT: 210955  
 SALES ITEM: AGX30014124  
 SALES ITEM:  
 CUSTOMER: NORTH EAST ELECTRIC / AMGEN RI  
 LOCATION: WEST GREENWICH, RHODE ISLAND  
 PROJECT: 480V WWTP SUBSTATION  
 CUSTOMER PO: C247404

01 02/02/07